

WFSP-1696-80-XXX series

SFP+ Single-Mode for DWDM Application
 Duplex SFP+ Transceiver
 Digital Diagnostic Function
 RoHS6 Compliant

Features

- ◆ Available in all C-Band Wavelengths on the 50GHz DWDM ITU Grid
- ◆ Data rates from 9.95 to 11.1Gbps
- ◆ Temperature-Stabilized DWDM EML Transmitter
- ◆ Duplex LC Connector
- ◆ Hot-Pluggable SFP+ Footprint
- ◆ Built-in Digital Diagnostic Functions as Specified in the SFF-8431 MSA
- ◆ Operating Case Temperature:
0°C to 70°C



Applications

- ◆ 10GBASE-ZR/ZW 10G Ethernet
- ◆ 1200-SM-LL-L 10G Fiber Channel
- ◆ G.959.1 P1L1-2D2

Ordering Information:

Part No.	Data Rate	Laser	Distance ^{*(not e2)}	DDMI	Temperature
WFSP-1696-80-XXX ^{*(note1)}	9.953~11.1Gbps	DWDM EML	80km	YES	0°C to 70°C

Note1: XXX refers to DWDM Wavelength channel as ITU-T specified, please refer the following table for detailed center wavelength information.

Note2: Over the G.652 SMF

X- Channel refers to the following table:

*Channel (X)	Part NO.	Frequency (THz)	Center Wavelength (nm)
200	WFSP-1696-80-200	192.00	1561.42
205	WFSP-1696-80-205	192.05	1561.01
210	WFSP-1696-80-210	192.10	1560.61
215	WFSP-1696-80-215	192.15	1560.20
220	WFSP-1696-80-220	192.20	1559.79
225	WFSP-1696-80-225	192.25	1559.39
230	WFSP-1696-80-230	192.30	1558.98

235	WFSP-1696-80-235	192.35	1558.58
240	WFSP-1696-80-240	192.40	1558.17
245	WFSP-1696-80-245	192.45	1557.77
250	WFSP-1696-80-250	192.50	1557.36
255	WFSP-1696-80-255	192.55	1556.96
260	WFSP-1696-80-260	192.60	1556.55
265	WFSP-1696-80-265	192.65	1556.15
270	WFSP-1696-80-270	192.70	1555.75
275	WFSP-1696-80-275	192.75	1555.34
280	WFSP-1696-80-280	192.80	1554.94
285	WFSP-1696-80-285	192.85	1554.54
290	WFSP-1696-80-290	192.90	1554.13
295	WFSP-1696-80-295	192.95	1553.73
300	WFSP-1696-80-300	193.00	1553.33
305	WFSP-1696-80-305	193.05	1552.93
310	WFSP-1696-80-310	193.10	1552.52
315	WFSP-1696-80-310	193.15	1552.12
320	WFSP-1696-80-320	193.20	1551.72
325	WFSP-1696-80-325	193.25	1551.32
330	WFSP-1696-80-330	193.30	1550.92
335	WFSP-1696-80-335	193.35	1550.52
340	WFSP-1696-80-340	193.40	1550.12
345	WFSP-1696-80-345	193.45	1549.72
350	WFSP-1696-80-350	193.50	1549.32
355	WFSP-1696-80-355	193.55	1548.91
360	WFSP-1696-80-360	193.60	1548.51
365	WFSP-1696-80-365	193.65	1548.11
370	WFSP-1696-80-370	193.70	1547.72
375	WFSP-1696-80-375	193.75	1547.32
380	WFSP-1696-80-380	193.80	1546.92
385	WFSP-1696-80-385	193.85	1546.52
390	WFSP-1696-80-390	193.90	1546.12
395	WFSP-1696-80-395	193.95	1545.72
400	WFSP-1696-80-400	194.00	1545.32
405	WFSP-1696-80-405	194.05	1544.92
410	WFSP-1696-80-410	194.10	1544.53
415	WFSP-1696-80-415	194.15	1544.13
420	WFSP-1696-80-420	194.20	1543.73
425	WFSP-1696-80-425	194.25	1543.33
430	WFSP-1696-80-430	194.30	1542.94
435	WFSP-1696-80-435	194.35	1542.54
440	WFSP-1696-80-440	194.40	1542.14
445	WFSP-1696-80-445	194.45	1541.75
450	WFSP-1696-80-450	194.50	1541.35

455	WFSP-1696-80-455	194.55	1540.95
460	WFSP-1696-80-460	194.60	1540.56
465	WFSP-1696-80-465	194.65	1540.16
470	WFSP-1696-80-470	194.70	1539.77
475	WFSP-1696-80-475	194.75	1539.37
480	WFSP-1696-80-480	194.80	1538.98
485	WFSP-1696-80-485	194.85	1538.58
490	WFSP-1696-80-490	194.90	1538.19
495	WFSP-1696-80-495	194.95	1537.79
500	WFSP-1696-80-500	195.00	1537.40
505	WFSP-1696-80-505	195.05	1537.00
510	WFSP-1696-80-510	195.10	1536.61
515	WFSP-1696-80-515	195.15	1536.22
520	WFSP-1696-80-520	195.20	1535.82
525	WFSP-1696-80-525	195.25	1535.43
530	WFSP-1696-80-530	195.30	1535.04
535	WFSP-1696-80-535	195.35	1534.64
540	WFSP-1696-80-540	195.40	1534.25
545	WFSP-1696-80-545	195.45	1533.86
550	WFSP-1696-80-550	195.50	1533.47
555	WFSP-1696-80-555	195.55	1533.07
560	WFSP-1696-80-560	195.60	1532.68
565	WFSP-1696-80-565	195.65	1532.29
570	WFSP-1696-80-570	195.70	1531.90
575	WFSP-1696-80-575	195.75	1531.51
580	WFSP-1696-80-580	195.80	1531.12
585	WFSP-1696-80-585	195.85	1530.72
590	WFSP-1696-80-590	195.90	1530.33
595	WFSP-1696-80-595	195.95	1529.94

* Please contact WFS if you need further detail.

Regulatory Compliance

Feature	Standard	Performance
Electrostatic Discharge (ESD) to the Electrical Pins	MIL-STD-883G Method 3015.7	Class 1C (>1000V)
Electrostatic Discharge to the Enclosure	EN 55024:1998+A1+A2 IEC-61000-4-2 GR-1089-CORE	Compliant with standards
Electromagnetic Interference (EMI)	FCC Part 15 Class B EN55022: 2006 CISPR 22B: 2006 VCCI Class B	Compliant with standards Noise frequency range: 30MHz to 6GHz. Good system EMI design practice required to achieve Class B margins. System margins are dependent on customer host board and chassis design.
Immunity	EN 55024:1998+A1+A2 IEC 61000-4-3	Compliant with standards. 1KHz sine-wave, 80% AM, from 80MHz to 1GHz. No effect on transmitter/receiver performance is detectable between these limits.
Laser Eye Safety	FDA 21CFR 10X.10 and 10X.11 EN (IEC) 60825-1: 2007 EN (IEC) 60825-2: 2004+A1	CDRH compliant and Class I laser product. TüV Certificate No. 50135086
Component Recognition	UL and CUL EN60950-1: 2006	UL file E317337 TüV Certificate No. 50135086 (CB scheme)
RoHS6	2002/95/EC 4.1&4.2 2005/747/EC 5&7&13	Compliant with standards ^{*note3}

Note3: For update of the equipments and strict control of raw materials, WFS has the ability to supply the customized products since Jan 1st, 2007, which meet the requirements of RoHS6 (Restrictions on use of certain Hazardous Substances) of European Union.

In light of item 5 in RoHS exemption list of RoHS Directive 2002/95/EC, Item 5: Lead in glass of cathode ray tubes, electronic components and fluorescent tubes.

In light of item 13 in RoHS exemption list of RoHS Directive 2005/747/EC, Item 13: Lead and cadmium in optical and filter glass. The three exemptions are being concerned for WFS's transceivers, because WFS's transceivers use glass, which may contain Pb, for components such as lenses, isolators, and other components.

Product Description

The WFSP-1696-80-XXX series single mode transceiver is small form factor pluggable module for duplex optical data communications. This module is designed for single mode fiber and operates at a nominal DWDM wavelength from 1529.94nm to 1561.42nm as specified by the ITU-T. It is designed to deploy in the DWDM networking equipment in metropolitan access and core networks.

It is with the SFP+ 20-pin connector to allow hot plug capability. The transmitter section uses a DWDM EML laser and is a class 1 laser compliant according to International Safety Standard IEC-60825. The receiver section uses a PIN detector and a limiting post-amplifier IC.

The WFSP-1696-80-XXXD series are designed to be compliant with SFP+ Multi-Source Agreement (MSA) Specification SFF-8431.

Absolute Maximum Ratings

Parameter	Symbol	Min.	Max.	Unit
Storage Temperature	Ts	-40	+85	°C
Supply Voltage	Vcc	-0.5	3.6	V
Operating Relative Humidity		-	95	%

*Exceeding any one of these values may destroy the device immediately.

Recommended Operating Conditions

Parameter	Symbol		Min.	Typical	Max.	Unit
Operating Case Temperature	T _A	WFSP-1696-80-X XX	0		+70	°C
Power Supply Voltage	Vcc		3.15	3.3	3.45	V
Power Supply Current	Icc				600	mA
Date Rate			9.953		11.1	Gbps

Performance Specifications – Electrical

($T_{OP} = 0$ to 70°C , $V_{CC} = 3.15$ to 3.45V)

Parameter	Symbol	Min.	Typ.	Max	Unit	Notes
Transmitter						
CML Inputs(Differential)	Vin	250		1000	mVpp	AC coupled input ^{*(note3)}
Input Impedance (Differential)	Zin	85	100	115	ohm	Rin > 100 kohm @ DC
TX_Dis	Disable	2		Vcc+0.3	V	
	Enable	0		0.8		
TX_FAULT	Fault	2		Vcc+0.3	V	
	Normal	0		0.5		
Receiver						
CML Outputs (Differential)	Vout	350		700	mVpp	AC coupled output ^{*(note3)}
Output Impedance (Differential)	Zout	85	100	115	ohm	
RX_LOS	LOS	2		Vcc+0.3	V	
	Normal	0		0.8	V	
MOD_DEF (0:2)	VoH	2.5			V	With Serial ID
	VoL	0		0.5	V	

Performance Specifications – Optical

($T_{OP} = 0$ to 70°C , $V_{CC} = 3.15$ to 3.45V)

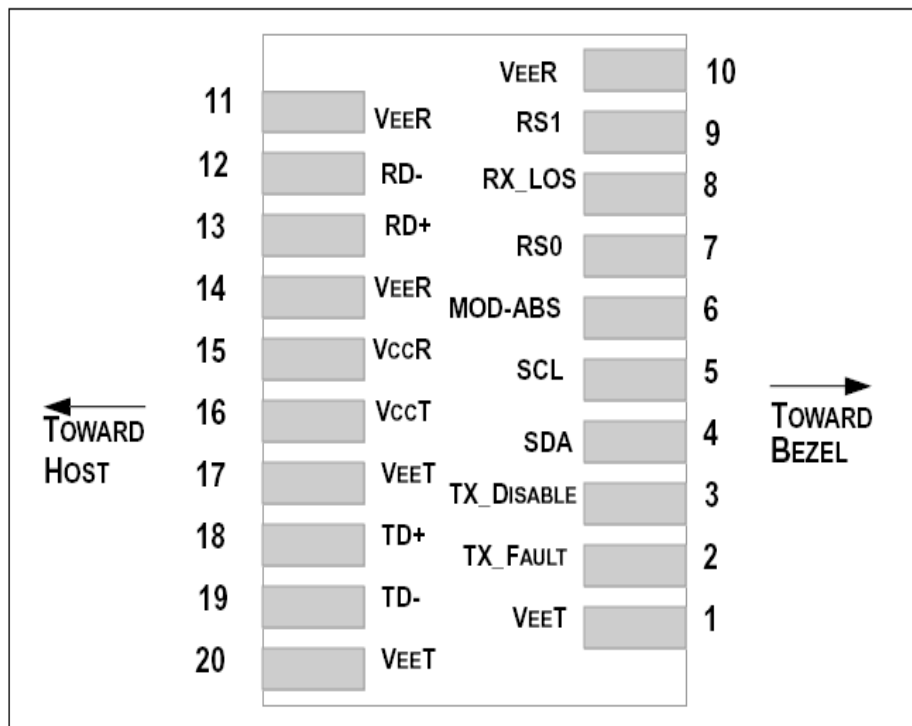
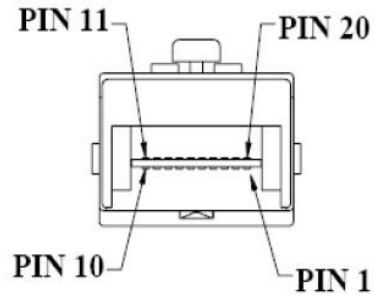
Parameter	Symbol	Min.	Typical	Max.	Unit
Data Rate		9.953		11.1	Gbps
Transmitter					
Center Wavelength Spacing			50		GHz
			0.4		nm
Side Mode Suppression Ratio	SMSR	30			dB
Average Output Power ^{*(note4)}	Pout	0		5	dBm
Average Launch Power (Tx: OFF)	Poff			-30	dBm
Extinction Ratio	ER	3.5			dB
Pout@TX Disable Asserted	Pout			-45	dBm
Relative Intensity Noise	RIN			-128	dB/Hz
TX Jitter	TXj	Per 802.3ae requirements			
Receiver					
Receiver Sensitivity ^{*(note5)}	Pmin			-24	dBm
Receiver Overload	Pmax	+0.5			dBm
LOS De-Assert	LOSD			-25	dBm
LOS Assert	LOSA	-40			dBm
LOS Hysteresis		1			dB

Note3: CML logic, internally AC coupled.

Note4: Output is coupled into a 9/125µm single-mode fiber.

Note5: Minimum average optical power measured at the BER less than 1E-12. The measure pattern is PRBS $2^{31}-1$.

SFP+ Transceiver Electrical Pad Layout



Pin Function Definition

Pin Num.	Name	FUNCTION	Plug Seq.	Notes
1	VeeT	Transmitter Ground	1	Note 5
2	TX Fault	Transmitter Fault Indication	3	Note 1
3	TX Disable	Transmitter Disable	3	Note 2, Module disables on high or open
4	SDA	Module Definition 2	3	Note 3, Data line for Serial ID.
5	SCL	Module Definition 1	3	Note 3, Clock line for Serial ID.
6	MOD-ABS	Module Definition 0	3	Note 3
7	RS0	RX Rate Select (LVTTTL).	3	This pin has an internal 30k pull down to ground. A signal on This pin will not affect module performance.
8	LOS	Loss of Signal	3	Note 4
9	RS1	TX Rate Select (LVTTTL).	1	This pin has an internal 30k pull down to ground. A signal on This pin will not affect module performance.
10	VeeR	Receiver Ground	1	Note 5
11	VeeR	Receiver Ground	1	Note 5
12	RD-	Inv. Received Data Out	3	Note 6
13	RD+	Received Data Out	3	Note 7
14	VeeR	Receiver Ground	1	Note 5
15	VccR	Receiver Power	2	3.3 ± 5%, Note 7
16	VccT	Transmitter Power	2	3.3 ± 5%, Note 7
17	VeeT	Transmitter Ground	1	Note 5
18	TD+	Transmit Data In	3	Note 8
19	TD-	Inv. Transmit Data In	3	Note 8
20	VeeT	Transmitter Ground	1	Note 5

Notes:

1) TX Fault is an open collector/drain output, which should be pulled up with a 4.7K – 10KΩ resistor on the host board. Pull up voltage between 2.0V and VccT, R+0.3V. When high, output indicates a laser fault of some kind. Low indicates normal operation. In the low state, the output will be pulled to < 0.8V.

2) TX disable is an input that is used to shut down the transmitter optical output. It is pulled up within the module with a 4.7 – 10 KΩ resistor. Its states are:

Low (0 – 0.8V): Transmitter on

(>0.8, < 2.0V): Undefined

High (2.0 – 3.465V): Transmitter Disabled

Open: Transmitter Disabled

3) Modulation Absent, connected to VEET or VEER in the module.

4) LOS (Loss of Signal) is an open collector/drain output, which should be pulled up with a 4.7K – 10KΩ resistor. Pull up voltage between 2.0V and VccT, R+0.3V. When high, this output indicates the received optical power is below the worst-case receiver sensitivity (as defined by the standard in use). Low indicates normal operation. In the low state, the output will be pulled to < 0.8V.

5) VeeR and VeeT may be internally connected within the SFP+ module.

6) RD-/+: These are the differential receiver outputs. They are AC coupled 100Ω differential lines which should be terminated with 100Ω (differential) at the user SERDES. The AC coupling is done inside the module and is thus not required on the host board.

7) VccR and VccT are the receiver and transmitter power supplies. They are defined as 3.3V ±5% at the SFP+ connector pin. Maximum supply current is 300Ma. Inductors with DC resistance of less than 1 ohm should be used in order to maintain the required voltage at the SFP+ input pin with 3.3V supply voltage. When the recommended supply-filtering network is used, hot plugging of the SFP+ transceiver module will result in an inrush current of no more than 30Ma greater than the steady state value. VccR and VccT may be internally connected within the SFP+ transceiver module.

8) TD-/+: These are the differential transmitter inputs. They are AC-coupled, differential lines with 100Ω differential termination inside the module. The AC coupling is done inside the module and is thus not required on the host board.

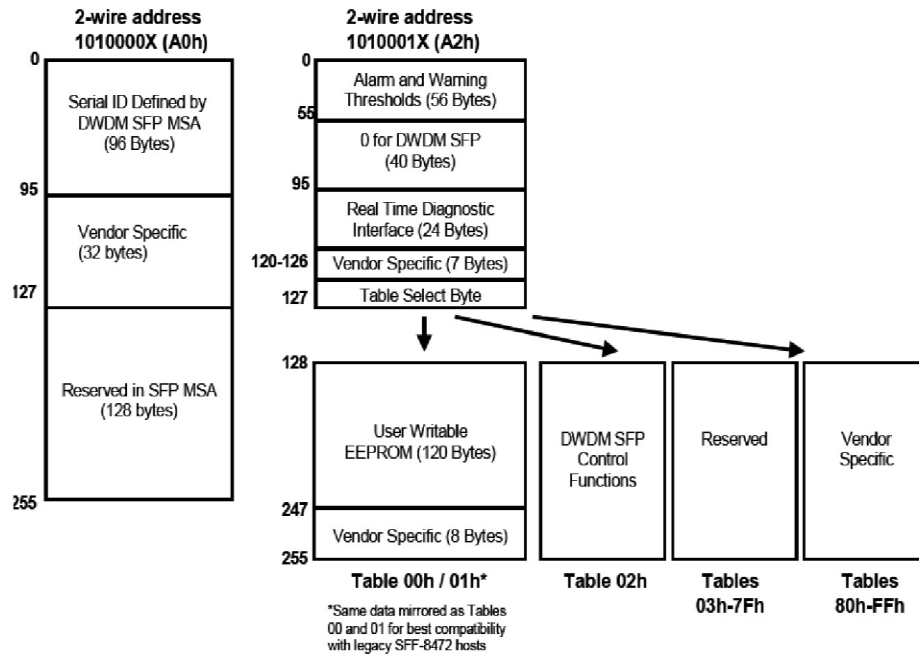
EEPROM

The optical transceiver contains an EEPROM. It provides access to sophisticated identification information that describes the transceiver's capabilities, standard interfaces, manufacturer, and other information.

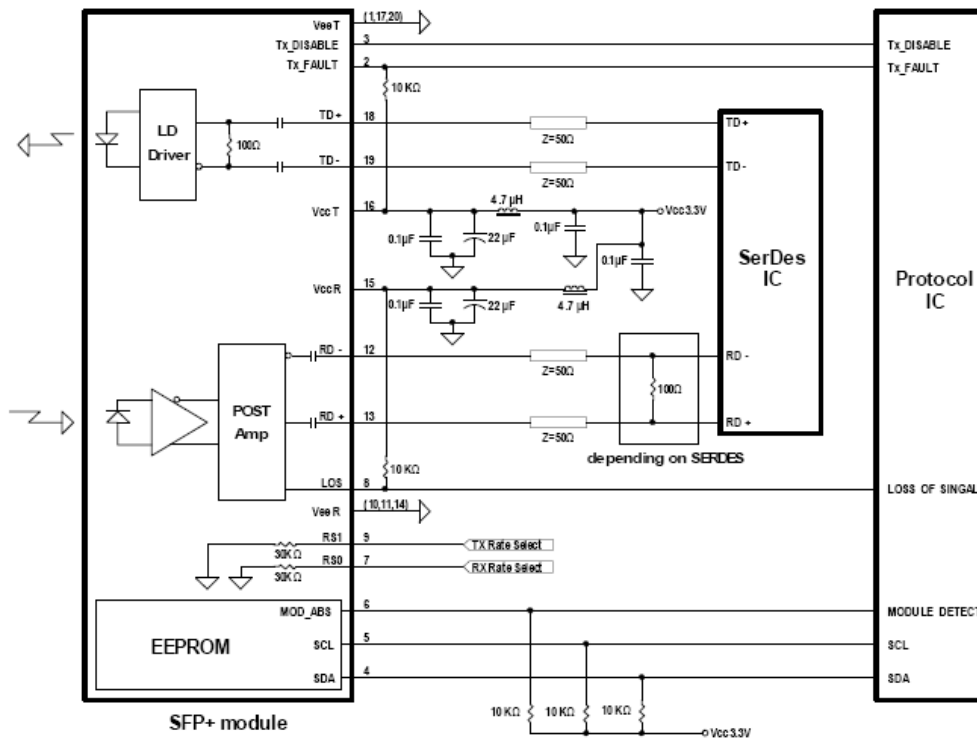
The serial interface uses the 2-wire serial CMOS EEPROM protocol. When the serial protocol is activated, the host generates the serial clock signal (SCL, Mod Def 1). The positive edge clocks data into those segments of the EEPROM that are not writing protected within the SFP+ transceiver. The negative edge clocks data from the SFP+ transceiver. The serial data signal (SDA, Mod Def 2) is bi-directional for serial data transfer. The host uses SDA in conjunction with SCL to mark the start and end of serial protocol activation. The memories are organized as a series of 8-bit data words that can be addressed individually or sequentially.

The module provides diagnostic information about the present operating conditions. The transceiver generates this diagnostic data by digitization of internal analog signals. Alarm/warning threshold data is written during device manufacture. TEC current monitoring, laser temperature monitoring, received power monitoring, transmitted power monitoring, bias current monitoring, supply voltage monitoring and transceiver temperature monitoring all are

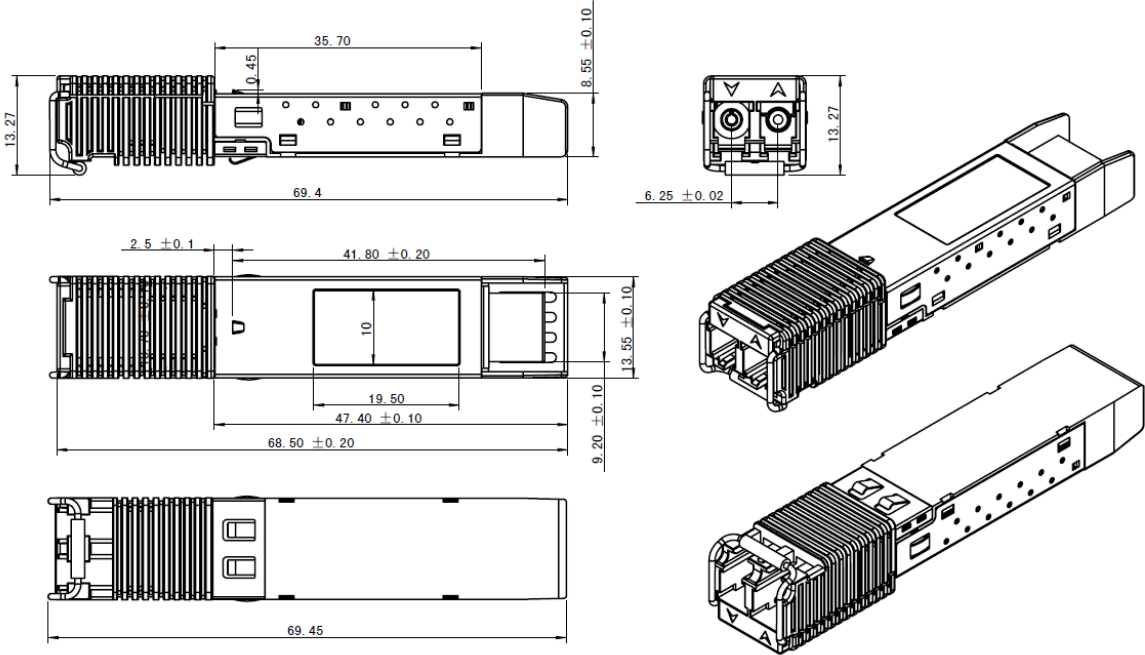
implemented. The diagnostic data are internal calibration and stored in memory locations 96 – 109 at wire serial bus address A2h. The transceiver memory map specific data field defines as following.



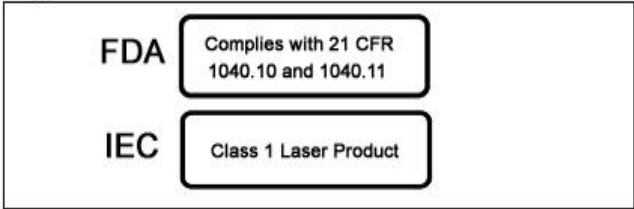
Recommend Circuit Schematic



Mechanical Specifications



Class 1 Labels



Laser Emission



Obtaining Document

You can visit our website:

<http://www.wfsnetworks.com>

Or contact WFS listed at the end of the documentation to get the latest documents.

Revision History

Revision	Initiated	Reviewed	Approved	DCN	Release Date
V1.a	Cathy.Chen			Released.	June 29, 2010
V1.b	Kelly.Cao			Update the mechanical graph.	April 1, 2011

Notice:

WFS reserves the right to make changes to or discontinue any optical link product or service identified in this publication, without notice, in order to improve design and/or performance. Applications that are described herein for any of the optical link products are for illustrative purposes only. WFS makes no representation or warranty that such applications will be suitable for the specified use without further testing or modification.

Contact:

Waterfront Solutions (WFS)

Seattle, WA USA

206-227-6641

E-mail:tom@wfsnetworks.com

<http://www.wfsnetworks.com>